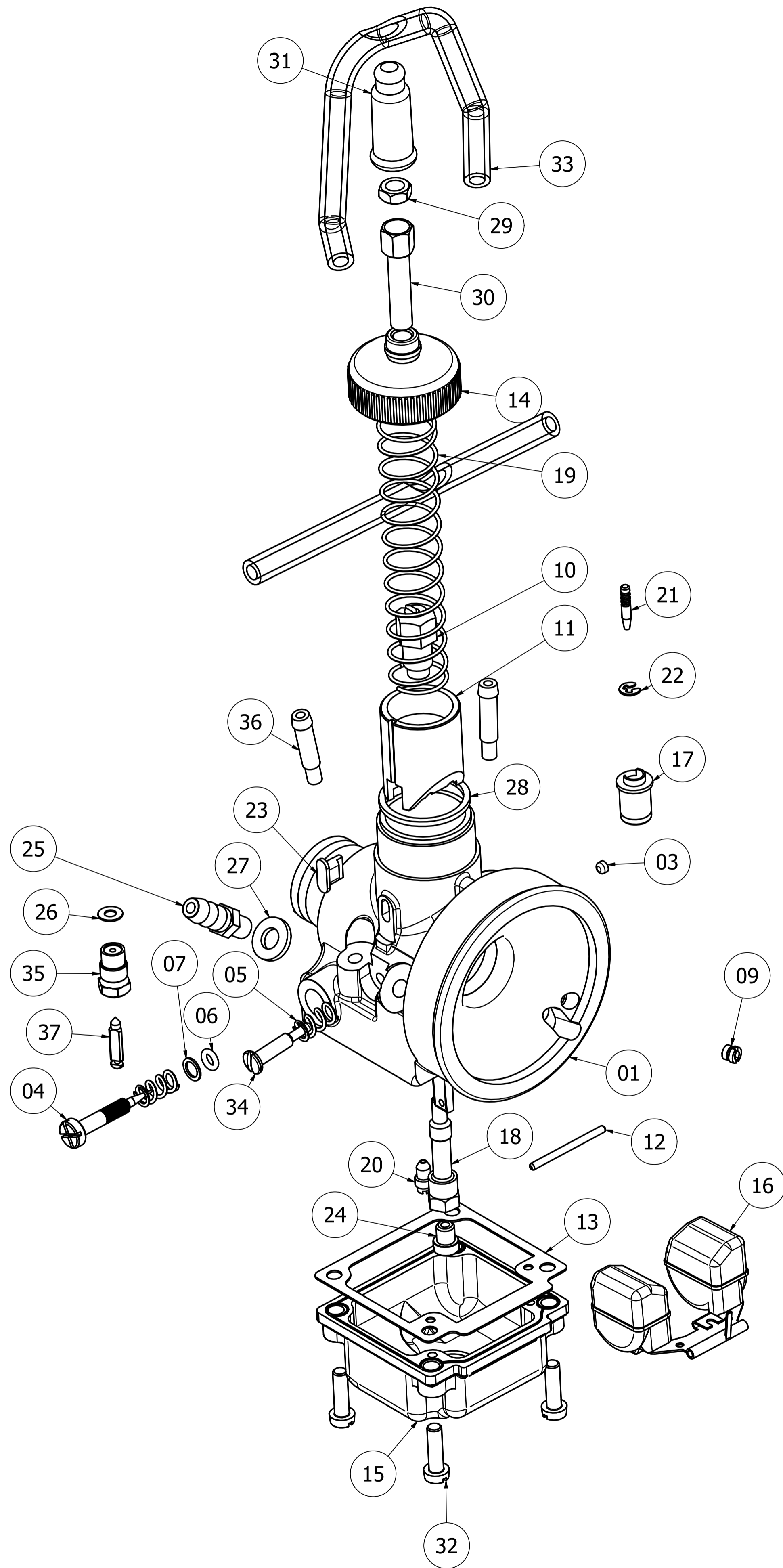


PARTS LIST

| ITEM | PART NUMBER | DESCRIPTION | QTY |
|------|-------------|----------------------------------|-----|
| 01 | 219-D322 | MACHINED BODY | 1 |
| 03 | 80-160 | BRASS PLUG | 2 |
| 04 | 43-A264 | HIGH SPEED NEEDLE | 1 |
| 05 | 24-B449 | ADJUSTMENT SCREW SPRING | 2 |
| 06 | 44-270 | O'RING | 1 |
| 07 | 78-A256 | ADJUSTMENT SCREW WASHER | 1 |
| 09 | 49-B31 | REMOTE FIXED JET VARIOUS | 1 |
| 10 | 15-C159 | THROTTLE CABLE ATTACHMENT | 1 |
| 11 | 14-A139 | THROTTLE SLIDE VARIOUS | 1 |
| 12 | 32-508 | FULCRUM PIN | 1 |
| 13 | 16-B524 | GASKET FLOAT BOWL | 1 |
| 14 | 91-B433 | SLIDE CAP | 1 |
| 15 | 30-788 | CLEAR PLASTIC FLOAT BOWL | 1 |
| 16 | 30-789 | FLOAT - 4 gr MINIMUM WEIGHT | 1 |
| 17 | 47-A293 | NOZZLE MAIN FUEL | 1 |
| 18 | 47-A294 | MAIN NOZZLE TUBE VARIOUS | 1 |
| 19 | 24-C371 | THROTTLE SLIDE SPRING | 1 |
| 20 | 49-B171 | IDLE JET VARIOUS | 1 |
| 21 | 34-549 | SLIDE NEEDLE VARIOUS | 1 |
| 22 | 29-260 | CIRCLIP SLIDE NEEDLE | 1 |
| 23 | 18-A100 | BARREL GUIDE | 1 |
| 24 | 49-B186 | MAIN JET VARIOUS | 1 |
| 25 | 68-A537 | M6x1, 3/16 BARB CONNECTOR, BRASS | 1 |
| 26 | 16-B199 | * COPPER GASKET, INLET SEAT | 1 |
| 27 | 78-A377 | WASHER COPPER | 1 |
| 28 | 44-401 | O-RING - SLIDE CAP | 1 |
| 29 | 81-832 | CABLE GUIDE NUT | 1 |
| 30 | 15-C160 | CABLE GUIDE - | 1 |
| 31 | 102-251 | SLEEVE CABLE GUIDE | 1 |
| 32 | 15-C161 | SCREW | 4 |
| 33 | 813-38 | OVERFLOW TUBE | 1 |
| 34 | 15-C154 | IDLE SPEED ADJ. SCREW | 1 |
| 35 | 36-A27 | * INLET SEAT | 1 |
| 36 | 68-411 | TUBE CONNECTOR | 2 |
| 37 | 34-551 | * INLET NEEDLE | 1 |



| NEEDLE SECOND OPTION | | | |
|----------------------|-----|-------------|--------------|
| ITEM | QTY | PART NUMBER | DESCRIPTION |
| 1 | 1 | 34-546 | SLIDE NEEDLE |

| INLET SEAT & NEEDLE ASSEMBLY PACK P/N: 233-722P | | | |
|---|-----|-------------|-----------------------------|
| ITEM | QTY | PART NUMBER | DESCRIPTION |
| 1 | 1 | 16-B199 | * COPPER GASKET, INLET SEAT |
| 2 | 1 | 34-551 | * INLET NEEDLE |
| 3 | 1 | 36-A27 | * INLET SEAT |

| IDLE JETS P/N: 49-S100 | MAIN JETS P/N: 49-S200 | REMOTE FIX JETS: |
|------------------------|------------------------|------------------|
| 54 > 49-B167 | 48 > 49-B180 | 56 > 49-B61 |
| 57 > 49-B168 | 51 > 49-B181 | 73 > 49-B50 |
| 60 > 49-B169 | 54 > 49-B182 | |
| 63 > 49-B170 | 57 > 49-B183 | |
| 64 > 49-B193 | 60 > 49-B184 | |
| 65 > 49-B194 | 63 > 49-B185 | |
| 66 > 49-B171 | 64 > 49-B195 | |
| 69 > 49-B173 | 65 > 49-B196 | |
| | 66 > 49-B186 | |
| | 69 > 49-B187 | |
| | 72 > 49-B188 | |