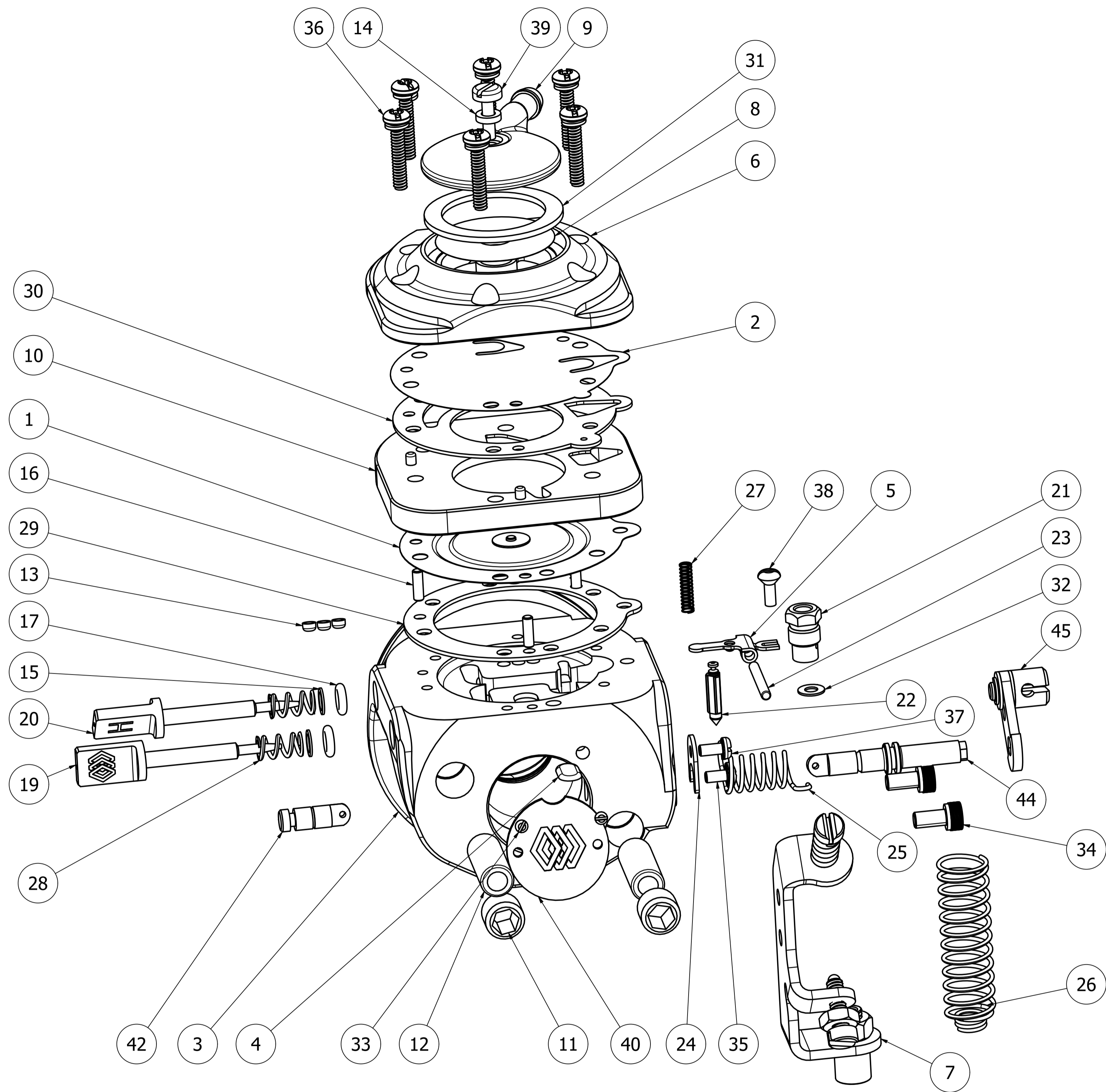


| PARTS LIST |     |             |                                      |
|------------|-----|-------------|--------------------------------------|
| ITEM       | QTY | PART NUMBER | DESCRIPTION                          |
| 1          | 1   | 237-600     | *+ DIAPHRAGM ASSEMBLY                |
| 2          | 1   | 237-223     | +* FUEL PUMP DIAPHRAGM               |
| 3          | 1   | 219-D323    | MACHINED BODY                        |
| 4          | 1   | 179-69      | WELCH PLUG                           |
| 5          | 1   | 155-A27     | * INLET VALVE CONTROL LEVER          |
| 6          | 1   | 141-99      | PUMP COVER                           |
| 7          | 1   | 136-573     | CABLE BRACKET ASSEMBLY               |
| 8          | 1   | 95-170      | FUEL STRAINER SCREEN                 |
| 9          | 1   | 91-B415     | FUEL STRAINER COVER                  |
| 10         | 1   | 91-B414     | METERING COVER                       |
| 11         | 2   | 81-382      | RETAINING NUT                        |
| 12         | 2   | 81-381      | CARBURETTOR MOUNTING NUT             |
| 13         | 4   | 80-160      | BRASS PLUG                           |
| 14         | 1   | 78-A351     | NYLON WASHER                         |
| 15         | 2   | 78-A256     | ADJUSTMENT SCREW WASHER              |
| 16         | 3   | 62-A138     | PIN                                  |
| 17         | 2   | 44-361      | ADJUSTMENT SCREW O-RING              |
| 18         | 1   | 44-344      | O-RING                               |
| 19         | 1   | 43-1043     | M4 X 0.5 ADJUSTMENT SCREW ASSEMBLY L |
| 20         | 1   | 43-1042     | M4 X 0.5 ADJUSTMNET SCREW            |
| 21         | 1   | 36-A42      | * INLET SEAT                         |
| 22         | 1   | 34-229      | + INLET NEEDLE                       |
| 23         | 1   | 32-79       | FULCRUM LEVER PIN                    |
| 24         | 1   | 29-253      | THROTTLE SHAFT CLIP                  |
| 25         | 1   | 24-C353     | THROTTLE RETURN SPRING               |
| 26         | 1   | 24-C334     | CABLE RETURN SPRING                  |
| 27         | 1   | 24-C298     | INLET TENSION SPRING 42g             |
| 28         | 2   | 24-B449     | ADJUSTMENT SCREW SPRING              |
| 29         | 1   | 16-B408     | *+ METERING GASKET                   |
| 30         | 1   | 16-B392     | *+ PUMP GASKET                       |
| 31         | 1   | 16-B205     | *+ STRAINER GASKET                   |
| 32         | 1   | 16-B199     | * COPPER GASKET, INLET SEAT          |
| 33         | 2   | 15-C105     | M2 X .4 SCREW                        |
| 34         | 2   | 15-C67      | M4 X 0.7 SOCKET CAP SCREW            |
| 35         | 1   | 15-C52      | LEVER SCREW                          |
| 36         | 6   | 15-C51      | 6 - 32 UNC SCREW                     |
| 37         | 1   | 15-C19      | 4-40 UNC SCREW                       |
| 38         | 1   | 15-B329     | FULCRUM LEVER SCREW                  |
| 39         | 1   | 15-B313     | COVER SCREW                          |
| 40         | 1   | 14-A141     | THROTTLE SHUTTER                     |
| 41         | 1   | 13-B253     | SPLIT THROTTLE SHAFT                 |
| 42         | 1   | 13-B220A    | SPLIT THROTTLE SHAFT SHORT           |
| 43         | 1   | 13-2409     | SPLIT THROTTLE SHAFT ASSY & LEVER    |
| 44         | 1   | 13-2171     | SPLIT THROTTLE SHAFT                 |
| 45         | 1   | 12-1218     | THROTTLE LEVER ASSEMBLY              |



REPAIR KIT [RK-15HW] PART LIST:

- 155-A27 \* INLET VALVE CONTROL LEVER
- 16-B199 \* COPPER GASKET - INLET SEAT
- 34-229 \* INLET NEEDLE
- 16-B205 \*+ STRAINER GASKET
- 16-B392 \*+ PUMP GASKET
- 16-B408 \*+ METERING GASKET
- 237-223 \*+ FUEL PUMP DIAPHRAGM
- 237-600 \*+ DIAPHRAGM ASSEMBLY

DIAPHRAGM AND GASKET KIT [DG-9HW] PART LIST:

- 16-B205 \*+ STRAINER GASKET
- 16-B392 \*+ PUMP GASKET
- 16-B408 \*+ METERING GASKET
- 237-223 \*+ FUEL PUMP DIAPHRAGM
- 237-600 \*+ DIAPHRAGM ASSEMBLY

INLET SET & NEEDLE ASSEMBLY PACK [233-717P] PART LIST:

- 16-B199 \* COPPER GASKET, INLET SEAT
- 34-229 + INLET NEEDLE
- 36-A42 + INLET SEAT

NOTE 1:

SUB ASSEMBLY ④③ (13-2409 - SPLIT THROTTLE SHAFT ASSEMBLY&LEVER)  
 EXISTS IN SEPARATE SUB-ASSEMBLY:  
 ④④ (13-2171 - SPLIT THROTTLE SHAFT)  
 ④⑤ (12-1218 - THROTTLE LEVER ASSEMBLY)

NOTE 2:

SUB ASSEMBLY ④④ (13-2171 - SPLIT THROTTLE SHAFT)  
 EXISTS IN SEPARATE PART  
 ①⑧ (44-344 - O-RING)  
 ④① (13-B253 - SPLIT THROTTLE SHAFT SHORT)

