

PARTS LIST			
ITEM	QTY	PART NUMBER	DESCRIPTION
1	1	43-1043	M4 X 0.5 ADJUSTMENT SCREW ASSEMBLY L
2	1	36-A42	* INLET SEAT
3	1	155-A27	* INLET VALVE CONTROL LEVER
4	1	32-79	FULCRUM LEVER PIN
5	1	16-B199	* COPPER GASKET, INLET SEAT
6	1	15-B329	FULCRUM LEVER SCREW
7	1	24-C296	INLET TENSION SPRING
8	1	34-229	+ INLET NEEDLE
9	1	363-326	IDLE NOZZLE
10	2	81-382	RETAINING NUT
11	2	81-381	CARBURETTOR MOUNTING NUT
12	2	24-B449	ADJUSTMENT SCREW SPRING
13	2	78-A256	ADJUSTMENT SCREW WASHER
14	2	44-361	ADJUSTMENT SCREW O-RING
15	1	16-B217	*+ METERING GASKET
16	1	237-600	*+ DIAPHRAGM ASSEMBLY
17	1	16-B392	*+ PUMP GASKET
18	1	237-223	*+ FUEL PUMP DIAPHRAGM
19	1	16-B205	*+ STRAINER GASKET
20	1	95-170	FUEL STRAINER SCREEN
21	1	15-B313	COVER SCREW
22	6	80-160	BRASS PLUG
23	2	15-C67	M4 X 0.7 SOCKET CAP SCREW
24	1	91-B415	FUEL STRAINER COVER
25	3	62-A138	PIN
26	2	15-C105	M2 X .4 SCREW
27	1	14-A131	THROTTLE SHUTTER
28	1	136-570	CABLE BRACKET ASSEMBLY
29	1	24-C334	CABLE RETURN SPRING
30	1	78-A351	NYLON WASHER
31	1	141-99	PUMP COVER
32	6	15-C51	6 - 32 UNC SCREW
33	1	219-D324	CNC BODY
34	1	29-253	THROTTLE SHAFT CLIP
35	1	15-C19	4-40 UNC SCREW
36	1	24-C353	THROTTLE RETURN SPRING
37	1	13-B220A	SPLIT THROTTLE SHAFT SHORT
38	1	13-2410	SPLIT THROTTLE SHAFT ASSY & LEVER
39	1	43-1042	M4 X 0.5 ADJUSTMNET SCREW
40	1	91-B414	METERING COVER
41	1	179-60	WELCH PLUG
42	2	13-2170	SPLIT THROTTLE SHAFT
43	1	12-1220	THROTTLE LEVER ASSEMBLY
44	1	15-C52	LEVER SCREW
45	1	44-344	O-RING
46	1	13-B252	SPLIT THROTTLE SHAFT

REPAIR KIT [RK-2HW] PART LIST:

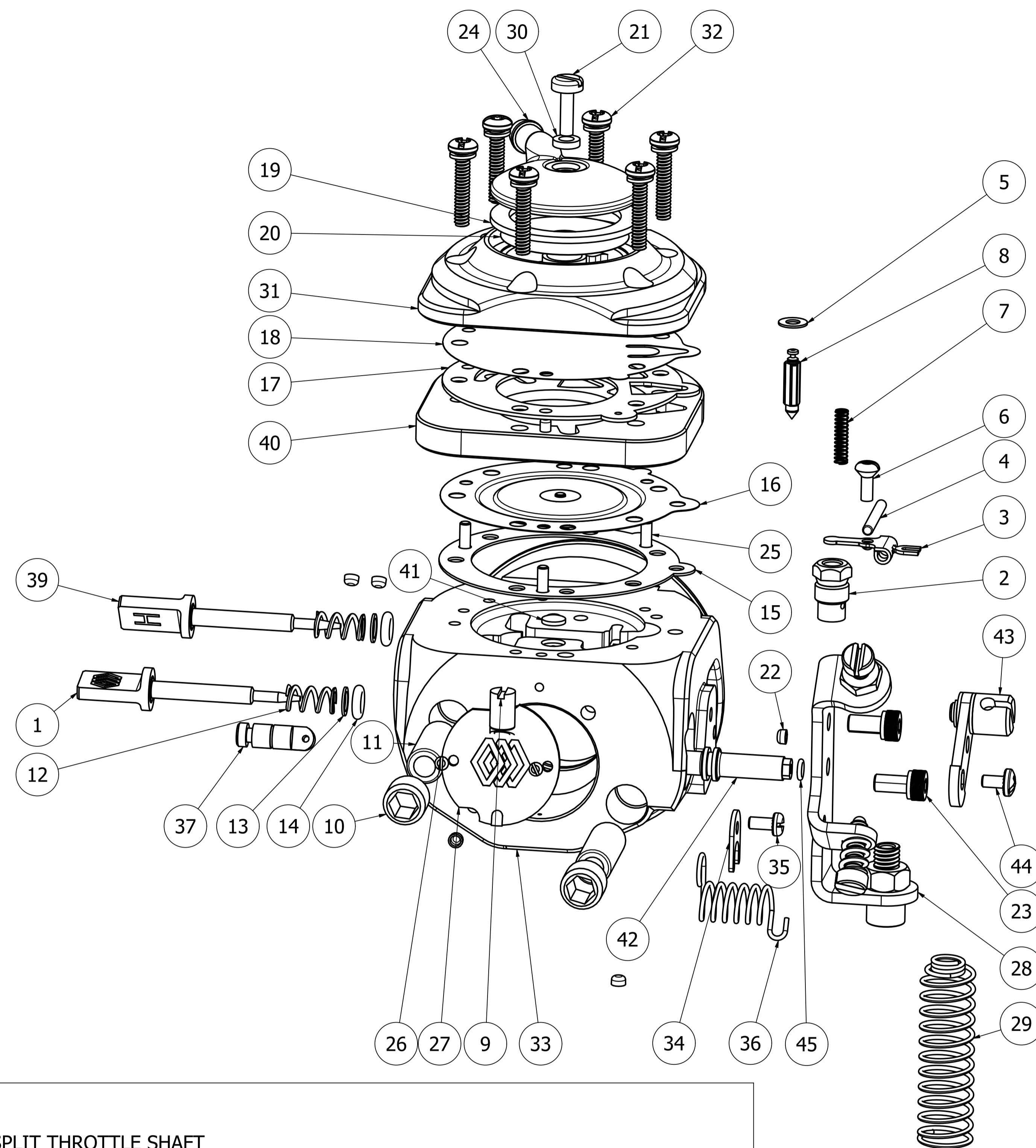
- 155-A27 * INLET LEVER
- 16-B199 * COPPER GASKET - INLET SEAT
- 16-B205 *+ STRAINER GASKET
- 16-B217 *+ METERING GASKET
- 16-B392 *+ FUEL PUMP GASKET
- 237-223 *+ FUEL PUMP DIAPHRAGM
- 237-600 *+ DIAPHRAGM ASSEMBLY
- 34-229 + INLET NEEDLE

DIAPHRAGM AND GASKET KIT [DG-2HW] PART LIST :

- 16-B205 *+ STRAINER GASKET
- 16-B217 *+ METERING GASKET
- 16-B392 *+ FUEL PUMP GASKET
- 237-223 *+ FUEL PUMP DIAPHRAGM
- 237-600 *+ DIAPHRAGM ASSEMBLY

INLET SET & NEEDLE ASSEMBLY PACK [233-717P] PART LIST:

- 16-B199 * COPPER GASKET, INLET SEAT
- 34-229 + INLET NEEDLE
- 36-A42 + INLET SEAT



NOTE 1:

SUB ASSEMBLY ③⑧ (13-2410 - SPLIT THROTTLE SHAFT ASSEMBLY&LEVER) EXISTS IN SEPARATE SUB-ASSEMBLY:
 ④② (13-2170 -SPLIT THROTTLE SHAFT)
 ④③ (12-1220 - THROTTLE LEVER ASSEMBLY)

NOTE 2:

SUB ASSEMBLY ④② (13-2170 - SPLIT THROTTLE SHAFT) EXISTS IN SEPARATE PART
 ④⑤ (44-344 -O-RING)
 ④⑥ (13-B253 - SPLIT THROTTLE SHAFT SHORT)

